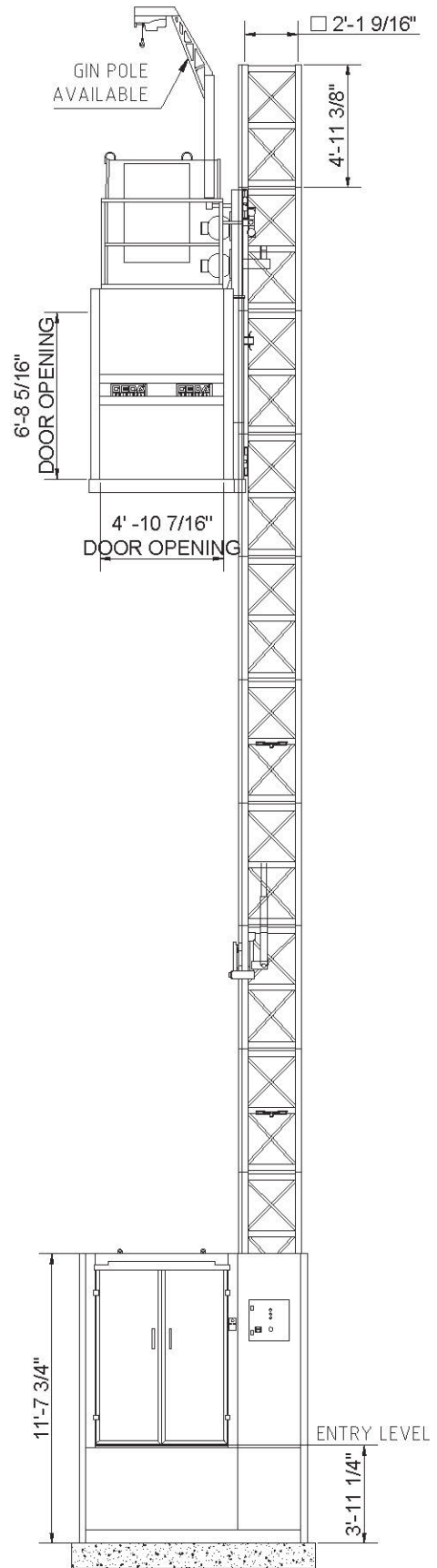
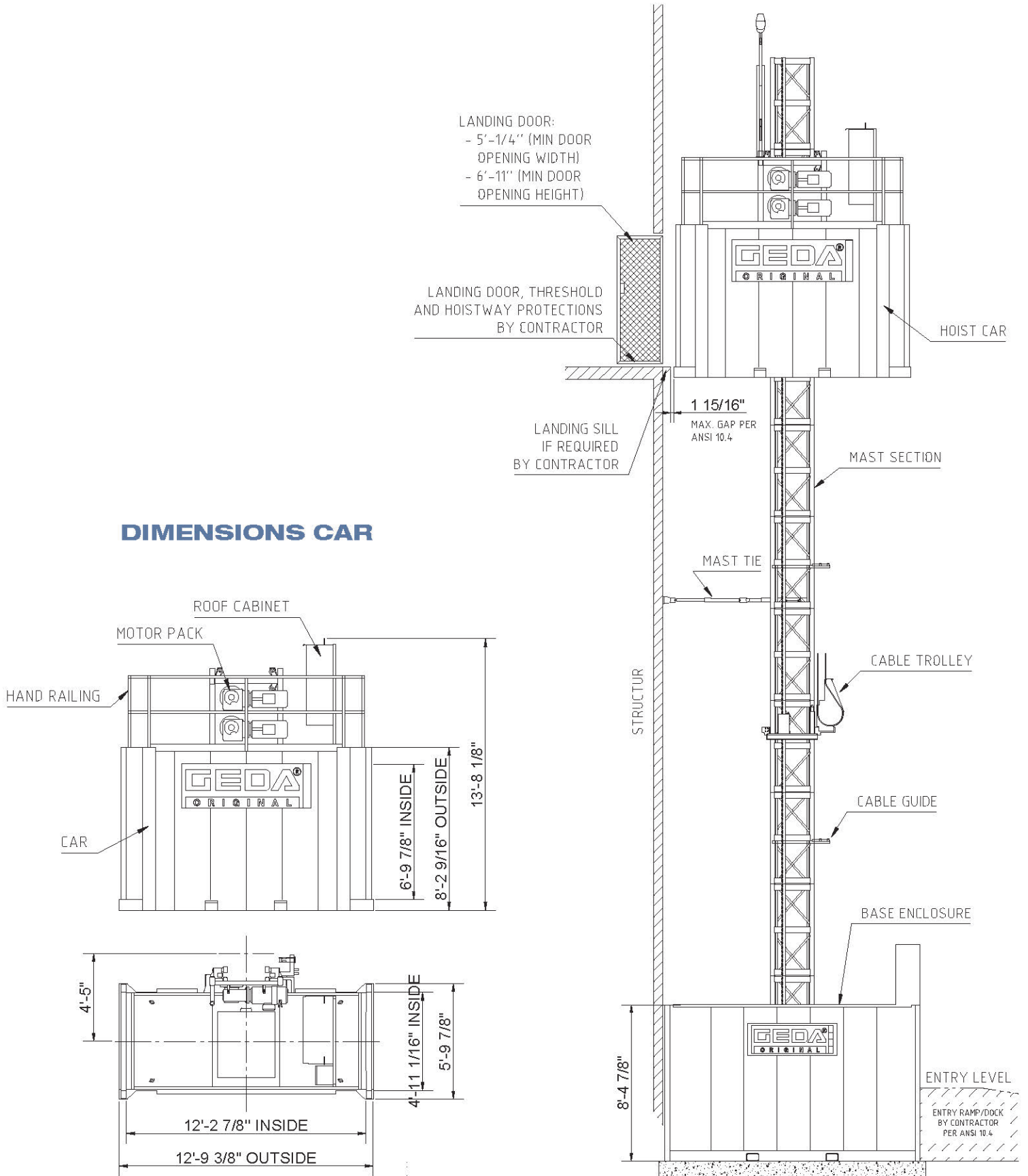
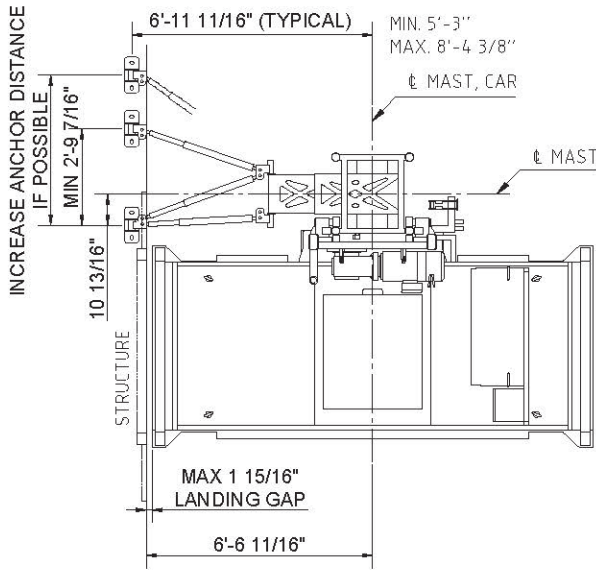


**ELEVATION VIEW**



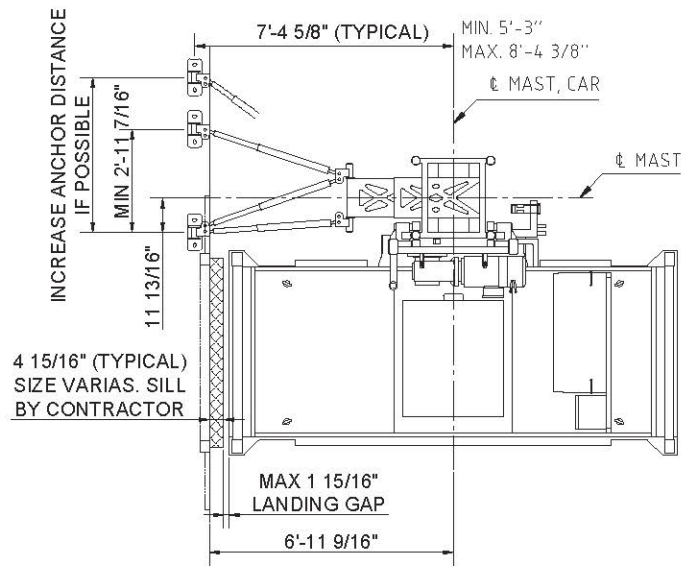


## TIE IN DETAILS - SLAB MOUNTED

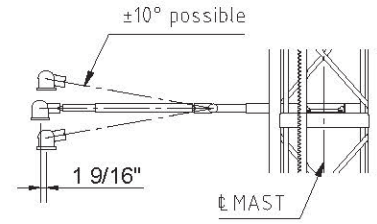
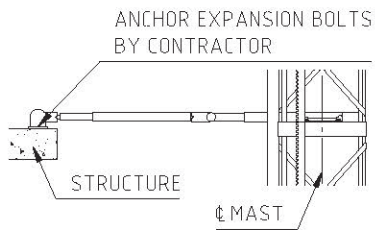


**ELEVATION VIEW**

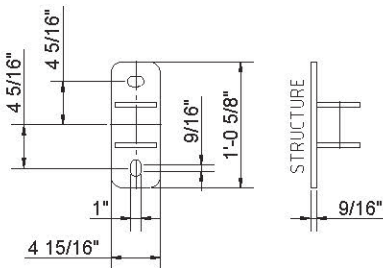
## TIE IN DETAILS - SLAB MOUNTED WITH LANDING SILL



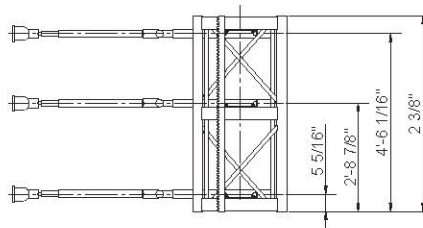
**INCLINATION DETAILS**



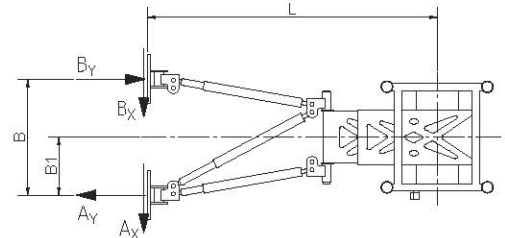
## TIE IN PLATE



## ATTACHMENT POINTS



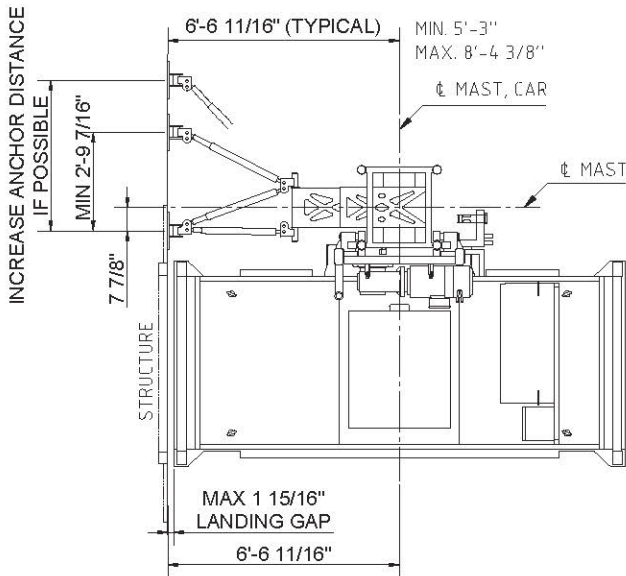
## TIE IN LOADS



PLEASE SEE GEDA INSTALLATION MANUAL FOR TIE IN LOADS

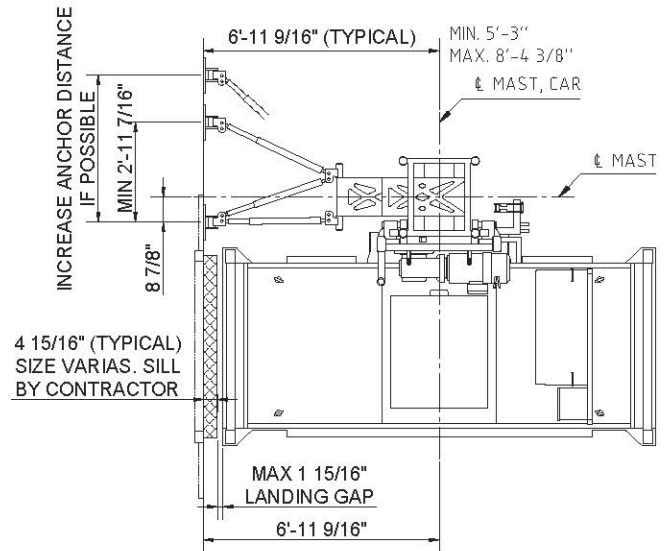
ALTERNATE MAST TIES OR ANCHORING DISTANCES AVAILABLE. CONTACT GEDA FOR INFORMATION.

## TIE IN DETAILS - WALL MOUNTED

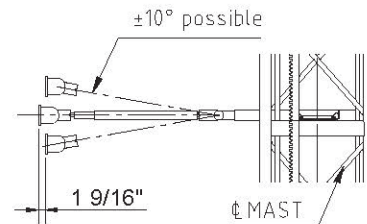
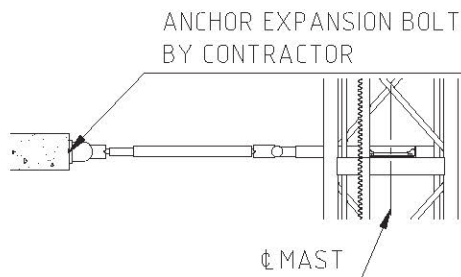


**ELEVATION VIEW**

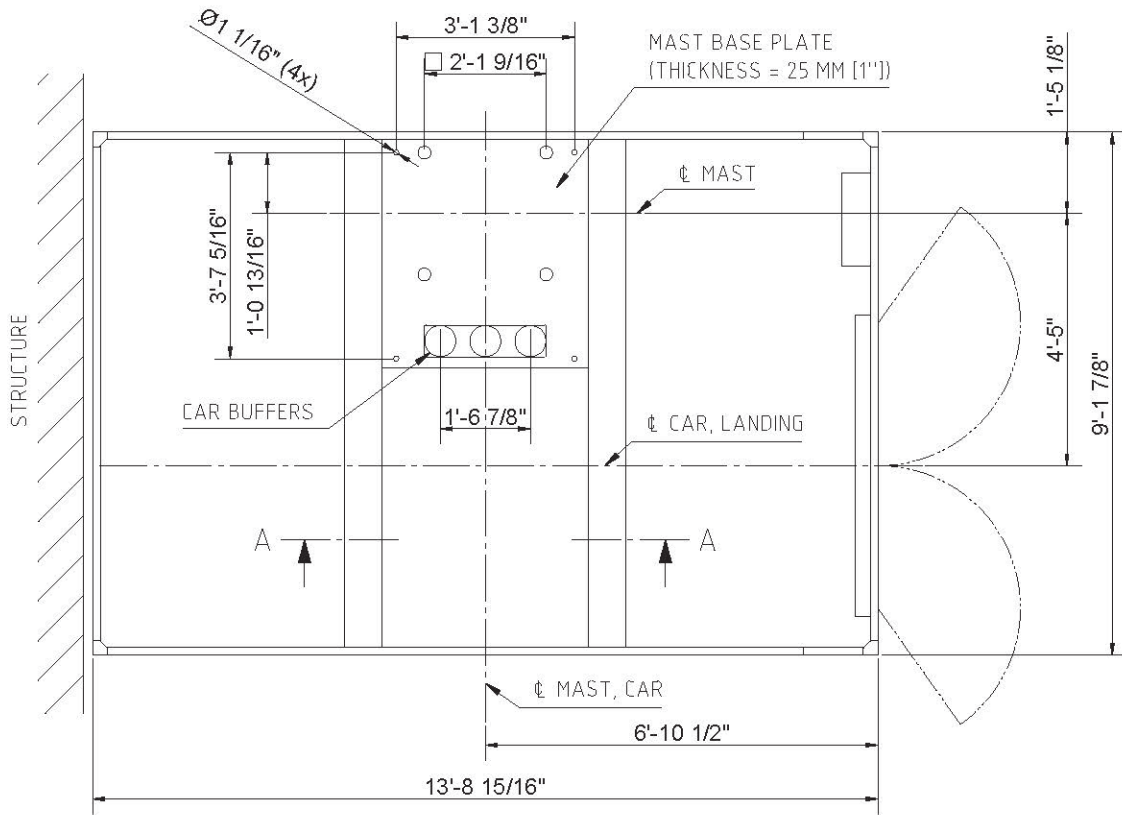
## TIE IN DETAILS - WALL MOUNTED WITH LANDING SILL



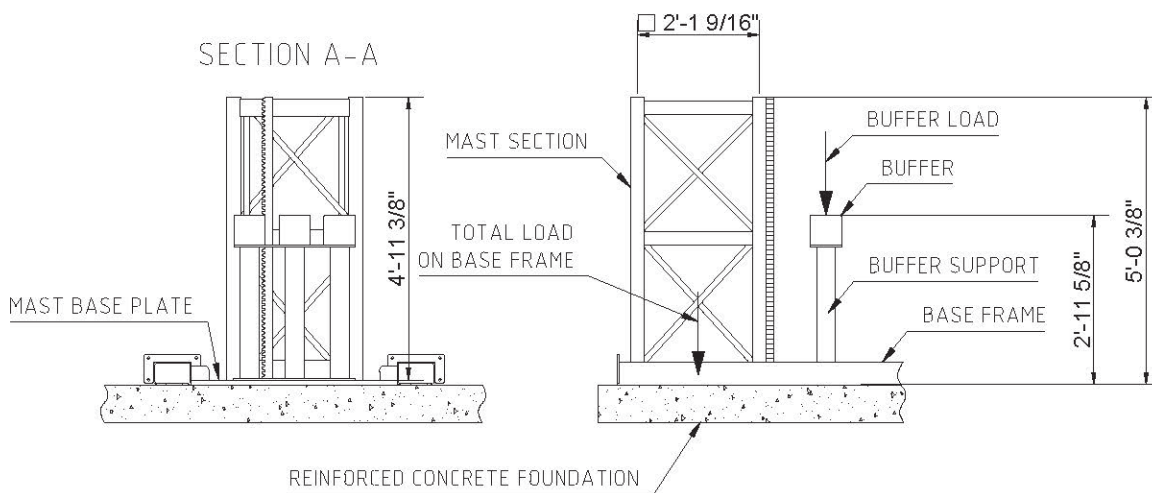
**INCLINATION DETAILS**



**PLAN VIEW BASE ENCLOSURE**

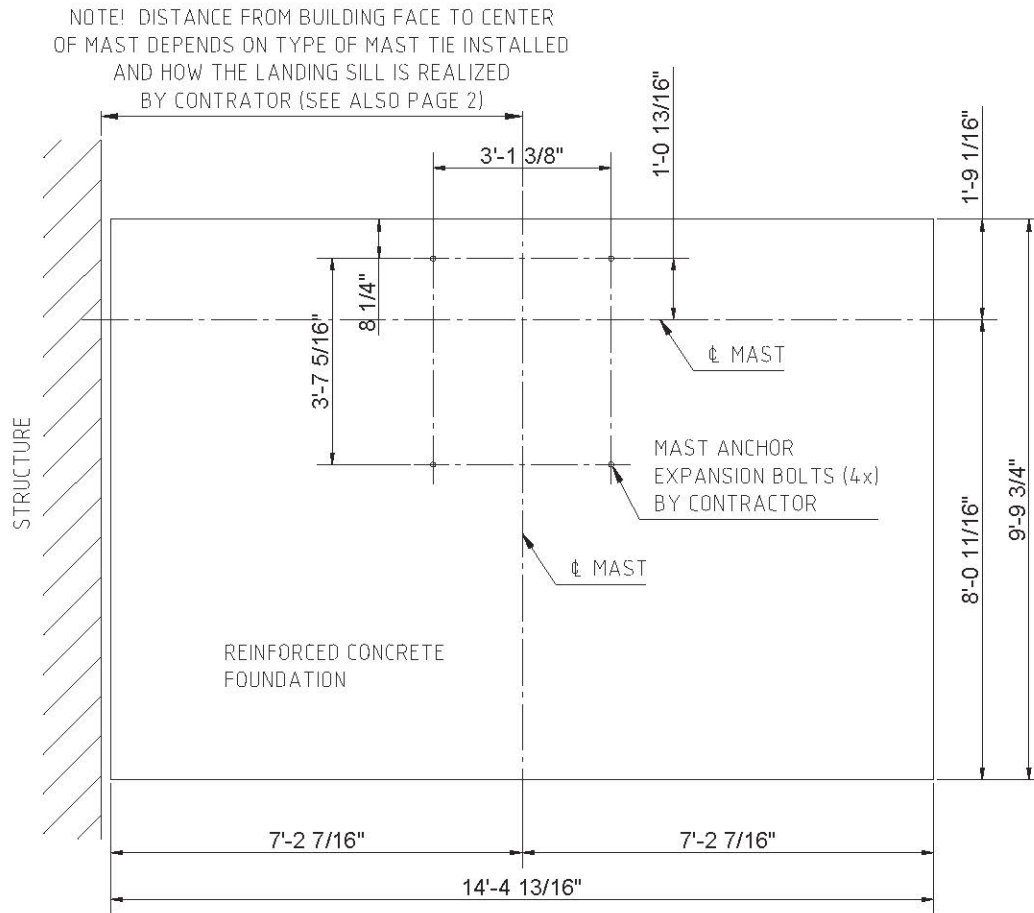


**MAST BASE**

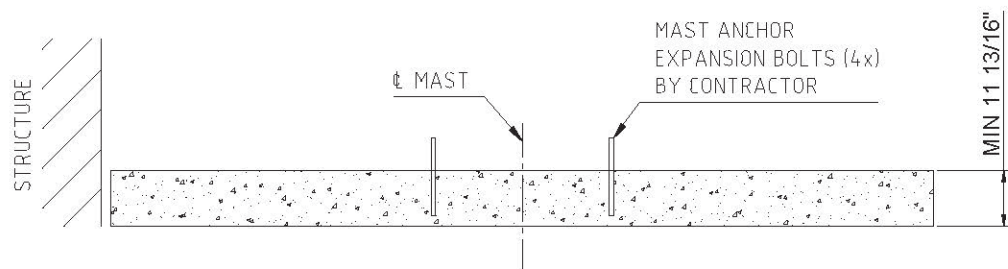


PLEASE SEE GEDA INSTALLATION MANUAL FOR TOTAL LOAD ON BASE FRAME AND BUFFER LOAD.

## FOUNDATION PLAN VIEW



## FOUNDATION SIDE VIEW



## SPECIFICATIONS

### MACHINE TECHNICAL DATA SPECS

MACHINE TYPE:	GEDA PH6000
CONFIGURATION:	SINGLE, LEFT CAR
CAPACITY:	6000 POUNDS
LIFTING HEIGHT:	VARIES (MAX 400m)
RATED SPEED:	196 ft/min.
NUMBER OF MOTORS:	2x19 kW (105 Hz)
MOTOR PACK TYPE:	VFC

### COMPONENTS WEIGHT

BASE ENCLOSURE:	3100 LBS
CAR:	3980 LBS
MOTORPACK:	1800 LBS
ROOF CABINET:	575 LBS
MAST SECTION SINGLE:	343 LBS
MAST TIE:	230 LBS
CABLE GUIDE	12.5 LBS
CABLE TROLLEY:	165 LBS

### POWER SUPPLY REQUIREMENTS (PER CAR)

VOLTAGE:	480 V, 3 PHASE	FREQUENCY:	60 HZ
MAINS FUSES:	100 A	POWER CONSUMPTION	88 kVA



Machinery Directive 2006/42/EG  
DIN EN ISO 9001:2008

